



High Output Outdoor Floodlight

for homes, commercials and even ballparks

30W



Consumes 60% less energy compared to High Pressure Sodium Vapor Lights of similar brightness.



Solid State High Brightness LED offers more than 22.5 years (50,000+ hrs) of lifespan, while still producing up to 70% of its initial brightness at the end of life.



Patented technology allows heat dissipation effectively from unit's body construction, which makes it possible for the unit to maintain its operating temperature at below 131°F (55°C). This is very critical to ensure the reliability and durability of the light.



Virtually maintenance free since no light bulb needs to be replaced. This is essential for fixture locations that are difficult to access.



Hardened optical lens is virtually indestructible. It protects LED luminaries from accidental damages and vandalisms.



Specifically engineered to withstand all extreme weathers, regardless of hot or cold climates, icy, snow or raining climates.



Instant full brightness. No delay in warming up to full brightness and will not burn out when being switched on and off frequently. Light is also dimmable with dim control switch.

Contains no mercury and lead free.

www.abright.com

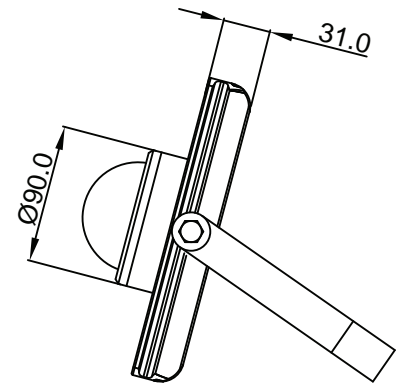
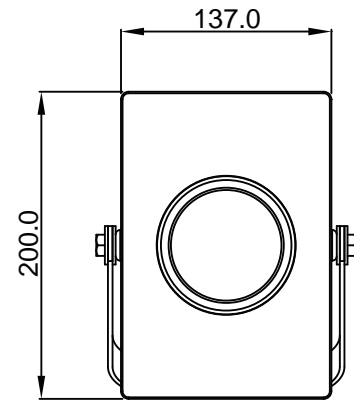
Ideal for wide varieties of outdoor applications, including home exteriors, industrial work lights, tunnels, and even ballparks.



Specifications:

Part Number :	FL30W55K (White) FL30W35K (Warm White)
Body material :	Patented Aluminum Alloy
LED Source :	Multiple LED Package (60 W).
Power :	30 watt
Luminous Efficacy :	75 ~ 80 lumens per watt
Color Temperature:	White 5,500K ± 500 Warm White 3,500K ± 500
LED Rated Life :	50,000+ hours
Voltage :	110V - 240V AC
Net Weight :	3.5 lb

*** Specifications subject to change without further notice. ***



www.abright.com

U.S. office :
4214 Silver Peak Parkway,
Suwanee, Georgia 30024
Tel : 678-482-0789
Fax : 678-482-2148

China factory :
26 Building, XiTian 3rd Industrial Zone,
GongMing Town, Shenzhen, China
Tel : +86-755-27151735
Fax : +86-755-81735353


aBright
L I G H T I N G