



E27 Indoor Ceiling Light

10W

Contains no mercury and lead free. 



Consumes 75% less energy compared to Fluorescent based Lights of similar brightness. Less energy means saving hundreds or even thousands of dollars over the life of the fixture, while help protecting the environment.



Superior LED light quality radiates only very little heat which prevents discoloring or damaged on heat sensitive objects or fabrics.



Virtually maintenance free since no light bulb needs to be replaced. This is essential for fixture locations that are difficult to access.



Solid State High Brightness LED offers more than 22.5 years (50,000+ hrs) of lifespan. This is about 10 times longer than average fluorescent lights.



Extremely low operating temperature to ensure reliability and durability of the fixture. No overheating to worry about.



Instant full brightness. No delay in warming up to full brightness and will not burn out when being switched on and off frequently. Light is also dimmable with dim control switch.

www.abright.com

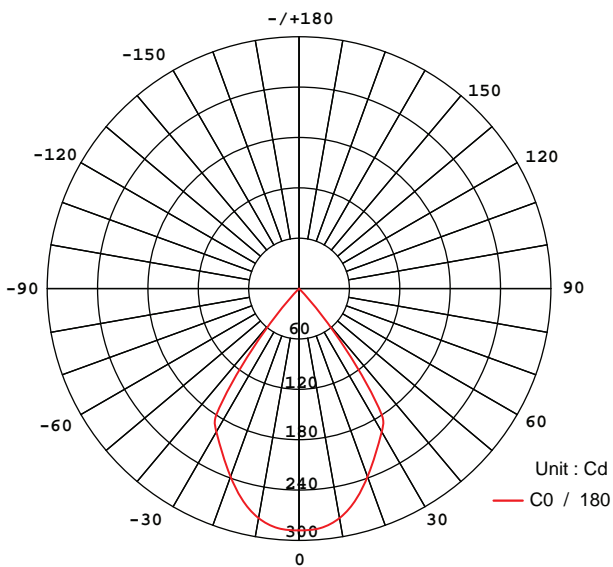
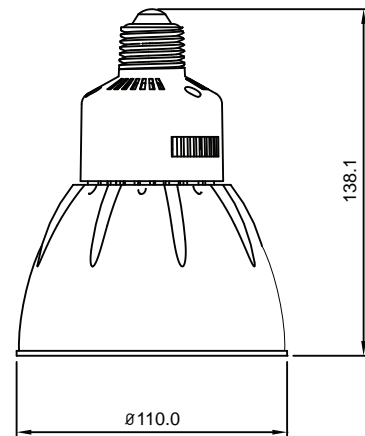
Ideal for wide varieties of indoor and commercial applications, direct replacement of existing E27 lights.


L I G H T I N G

Specifications

Type	10W
Part Number	E27C10W55K (White) E27C10W35K (Warm White)
Body material	Patented Aluminum Alloy
LED Source	Multi-Chip LED Package
Power	10W
Luminous Efficacy	75-80 lm / W
Color Temperature	White (5,500K ± 500) Warm White (3,500K ± 500)
LED Rated Life	50,000+ hours
Voltage	110V - 240V AC
Warranty	3 years limited

*** Specifications subject to change without further notice. ***



average beam angle (50%) : 77.0°

Luminous flux : 297.3 lm

1.5 M	66.48 lx	238.63cm
2.0 M	37.40 lx	318.17cm
2.5 M	23.93 lx	397.72cm
3.0 M	16.62 lx	477.26cm
3.5 M	12.21 lx	556.81cm
height	max	Beam Angle : 77.0°
		Dia

www.abright.com

U.S. office :
4214 Silver Peak Parkway,
Suwanee, Georgia 30024
Tel : 678-482-0789
Fax : 678-482-2148

China factory :
26 Building, XiTian 3rd Industrial Zone,
GongMing Town, Shenzhen, China
Tel : +86-755-27151735
Fax : +86-755-81735353

