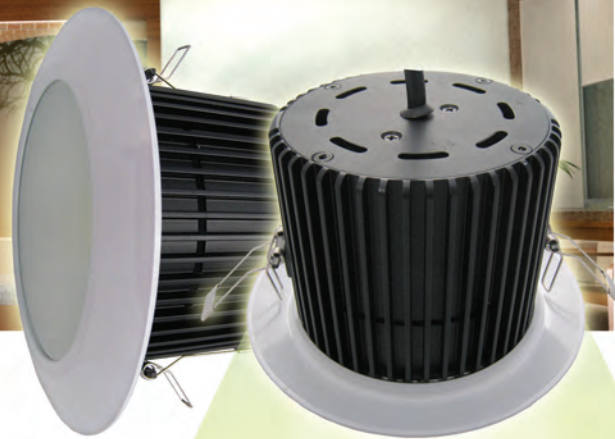


LED 4 inch Recessed Lights

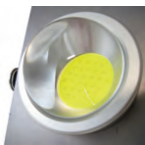
10W



Contains no mercury and lead free.



Consumes 75% less energy compared to Fluorescent based Lights of similar brightness. Less energy means saving hundreds or even thousands of dollars over the life of the fixture, while help protecting the environment.



Solid State High Brightness LED offers more than 22.5 years (50,000+ hrs) of lifespan. This is about 10 times longer than average fluorescent lights.



Virtually maintenance free since no light bulb needs to be replaced. This is essential for fixture locations that are difficult to access.



Patented technology allows heat dissipation effectively from unit's body construction. No additional heat sink or fan required.



Extremely low operating temperature to ensure reliability and durability of the fixture. No overheating to worry about.



Superior LED light quality radiates only very little heat which prevents discoloring or damaged on heat sensitive objects or fabrics.



Unique Clip-On Spring latch design allows quick and easy installation.



Instant full brightness. No delay in warming up to full brightness and will not burn out when being switched on and off frequently. Light is also dimmable with dim control switch.

www.abright.com

Ideal for wide varieties of indoor and commercial applications, including new constructions and existing replacements.

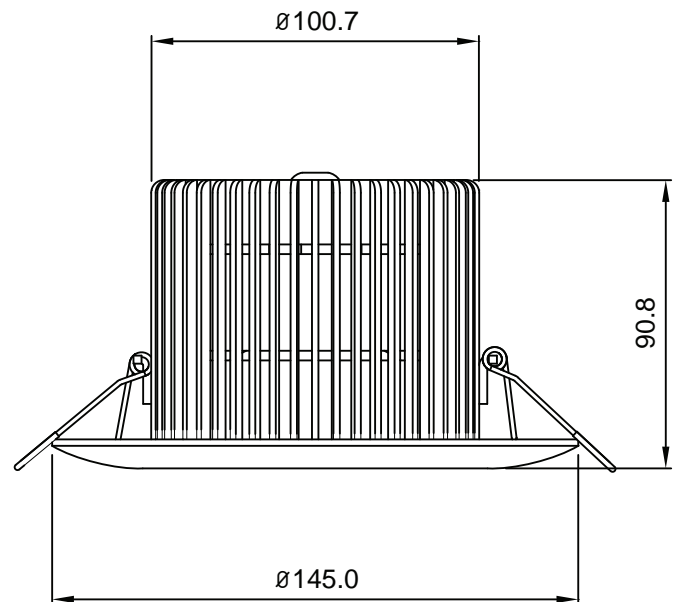
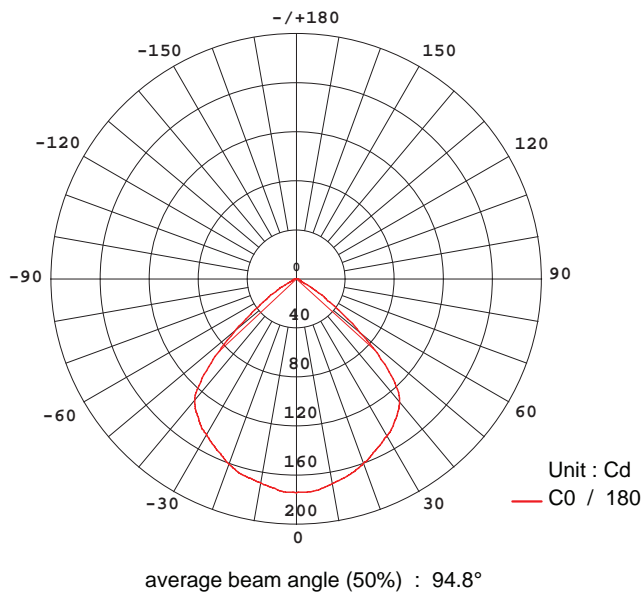
aBright
LIGHTING

Specifications

Type	10W
Part Number	40RL10W55K (White) 40RL10W35K (Warm White)
Body material	Patented Aluminum Alloy
LED Source	Multi-Chip LED Package
Power	10W
Luminous Efficacy	75-80 lm / W
Color Temperature	White (5,500K ± 500) Warm White (3,500K ± 500)
LED Rated Life	50,000+ hours
Voltage	110V - 240V AC
Warranty	3 years limited



*** Specifications subject to change without further notice. ***



www.abright.com

U.S. office :
4214 Silver Peak Parkway,
Suwanee, Georgia 30024
Tel : 678-482-0789
Fax : 678-482-2148

China factory :
26 Building, XiTian 3rd Industrial Zone,
GongMing Town, Shenzhen, China
Tel : +86-755-27151735
Fax : +86-755-81735353

aBright
L I G H T I N G